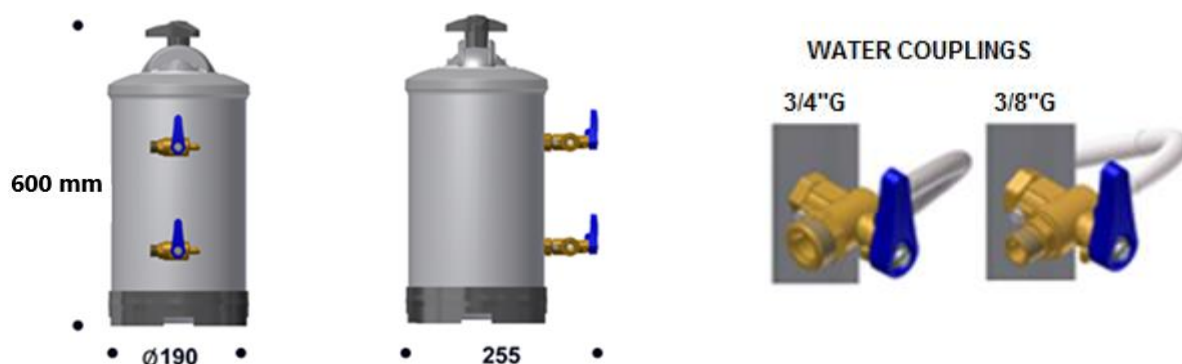


## Manual water softener LT16

The LT model features two ball-type valves in brass; one is located upstream, where water flows in, and the other downstream, where water flows out of the softener. Moreover, various water pipe couplings are available more specifically: the 3/8" G and the 3/4" G couplings as well as quick pipe couplings for pipes measuring 8 or 10 mm in diameter. Note that equipment connected to softeners cannot be used when a resin regeneration cycle is in progress.



### TECHNICAL FEATURES

Height	600 mm
Weight	12 kg
Infeed water pressure	min 1 bar- max 8 bar
Max flow rate suggested	1000 l/h
Room temperature	min 4°C – max 35°C
Salt quantity for regeneration cycle	2 kg

PRODUCT ORDER CODE: LT 16 coupling 3/8" G **DVN311103**

LT 16 coupling 3/4" G **DVL311103**

### INFEEED WATER FEATURES

Drinkable water  
Temperature min 6°C – max 25°C  
Clear water  
Max water hardness 90°f

LITRES OF SOFT WATER BASED ON WATER HARDNESS						Cyclic Capacity m <sup>3</sup> .of
°f	20	30	40	50	60	
°d	11	16	22	28	33	
ppm CaCO <sub>3</sub>	200	300	400	500	600	
<b>LT 16</b>	<b>3360</b>	<b>2240</b>	<b>1680</b>	<b>1344</b>	<b>1120</b>	<b>67.2</b>



**THIS SOFTENER IS IDEAL FOR THE FOLLOWING USE:**

